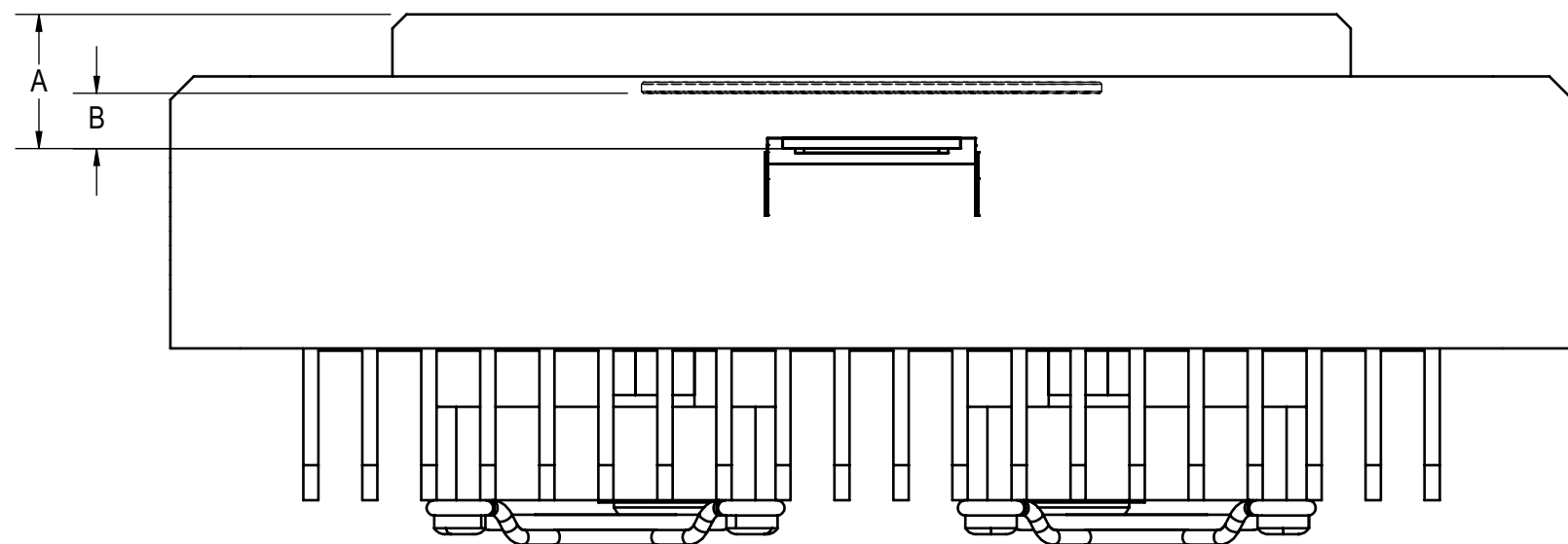
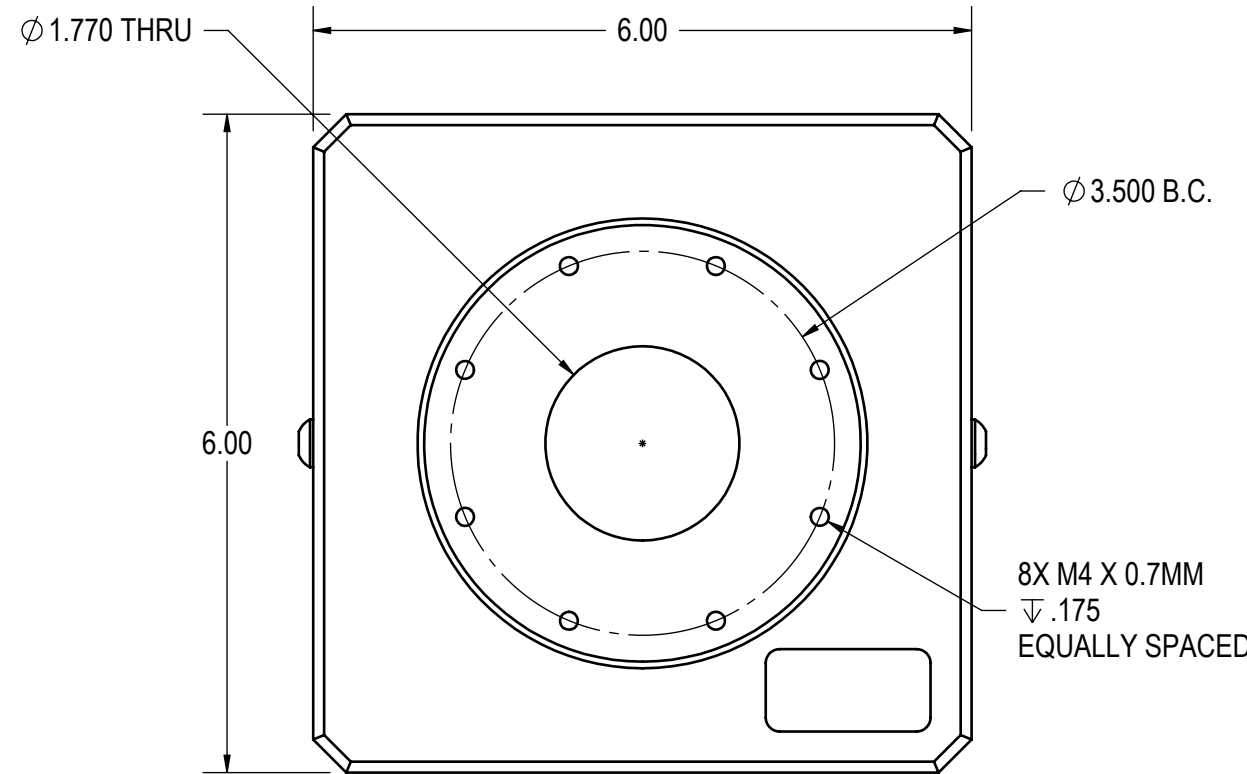


THE INFORMATION CONTAINED IN THIS DRAWING IS THE SOLE PROPERTY OF APOGEE INSTRUMENTS INC. ANY REPRODUCTION IN PART OR AS A WHOLE, WITHOUT THE WRITTEN PERMISSION OF APOGEE INSTRUMENTS IS PROHIBITED.

REVISIONS			
REV.	DESCRIPTION	DATE	APPROVED
B	MOUNTING SCREWS CHANGED TO METRIC	080706	GR
C	TABLE UPDATED	011007	GR
D	INCREASED BACK FOCAL DISTANCE BY .095", TABLE UPDATED	090707	GR



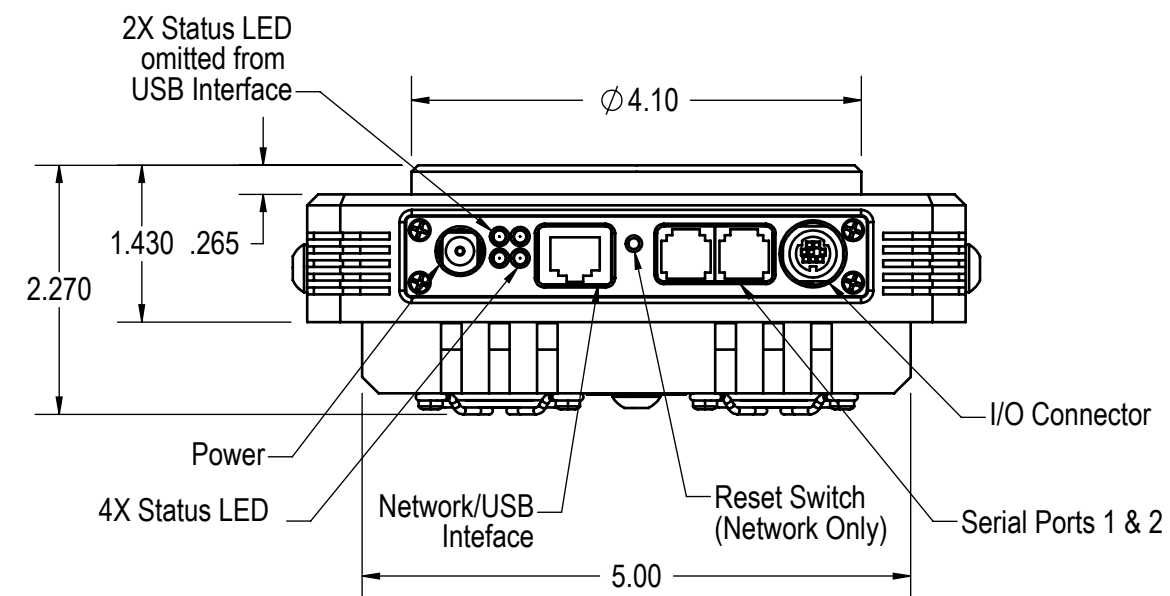
WHERE:
 A = IMAGE PLANE TO MOUNTING PLANE
 B = IMAGE PLANE TO INNER WINDOW SURFACE



TOP VIEW

ENGLISH (IN)	CAMERA MODEL	CCD	MECHANICAL DIMENSION		OPTICALLY CORRECTED	
			A	B	A	B
OPTIONAL	U6 / E6	KAF-1001	0.575	0.238	0.550	0.238
OPTIONAL	U9 / E9	KAF-6303	0.576	0.239	0.551	0.239
OPTIONAL	U10 / E10	TH7899	0.575	0.238	0.550	0.238
OPTIONAL	U13 / E13	KAF-1301	0.575	0.238	0.550	0.238
OPTIONAL	U30 / E30	CCD30-11	0.575	0.238	0.550	0.238
OPTIONAL	U42 / E42	CCD42-40	0.575	0.238	0.550	0.238
OPTIONAL	U47 / E47	CCD47-10	0.574	0.237	0.549	0.237
OPTIONAL	U77 / E77	CCD77-00	0.574	0.237	0.549	0.237
OPTIONAL	U4000 / E4000	KAI-4020	0.575	0.238	0.550	0.238
WORST CASE TOLERANCE STACK-UP (+/-)			0.007	0.012	0.007	0.012

METRIC (MM)	CAMERA MODEL	CCD	MECHANICAL DIMENSION		OPTICALLY CORRECTED	
			A	B	A	B
OPTIONAL	U6 / E6	KAF-1001	14.61	6.05	13.97	6.05
OPTIONAL	U9 / E9	KAF-6303	14.63	6.07	14.00	6.07
OPTIONAL	U10 / E10	TH7899	14.61	6.05	13.97	6.05
OPTIONAL	U13 / E13	KAF-1301	14.61	6.05	13.97	6.05
OPTIONAL	U30 / E30	CCD30-11	14.61	6.05	13.97	6.05
OPTIONAL	U42 / E42	CCD42-40	14.61	6.05	13.97	6.05
OPTIONAL	U47 / E47	CCD47-10	14.58	6.02	13.94	6.02
OPTIONAL	U77 / E77	CCD77-00	14.58	6.02	13.94	6.02
OPTIONAL	U4000 / E4000	KAI-4020	14.61	6.05	13.97	6.05
WORST CASE TOLERANCE STACK-UP (+/-)			0.18	0.30	0.18	0.30



FRONT VIEW

UNLESS OTHERWISE SPECIFIED DIMENSIONS ARE IN INCHES TOLERANCES ARE: FRACTIONS DECIMALS ANGLES ± .XX ± .01 ± 1° ± .XXX ± .005	CAD GENERATED DRAWING, DO NOT MANUALLY UPDATE		
	THIRD ANGLE PROJECTION		
MATERIAL	NAME	DATE	SPECIFICATION, MECHANICAL, ALTA
FINISH	DRAWN	GR 101205	
DO NOT SCALE DRAWING	CHECKED	RM 101705	
	ENG	RM 101705	
	MFG		SIZE B DWG. NO. D6NSD
	QA		SCALE 1:1.75 RELEASE DATE SHEET 1 OF 1